

SMARTair™ Cabinet locks

Wireless and battery powered

Technical data – SMARTair™ Cabinet locks

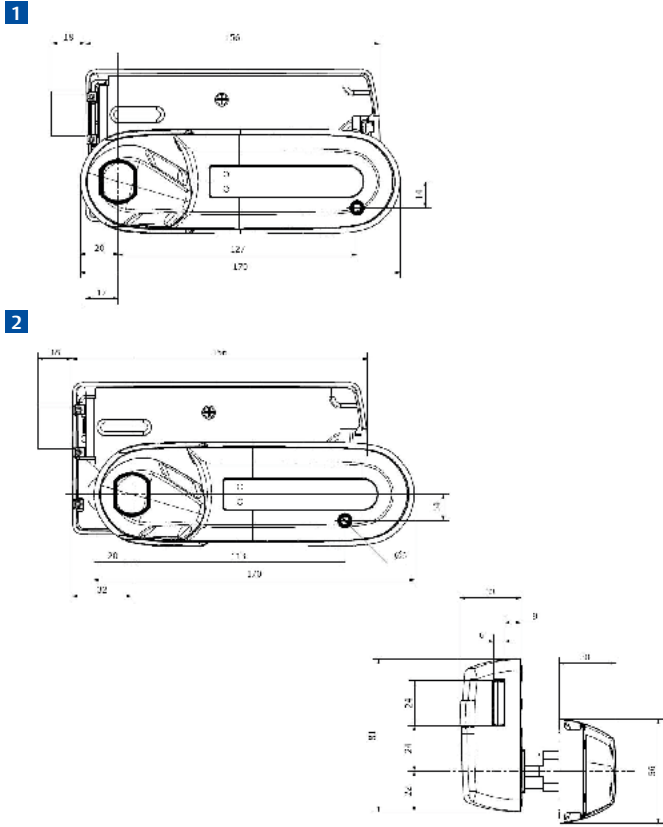
	Application	Ideal for lockers and cabinets
	Verticals	All industries (e.g. healthcare with medical cabinets, gyms)
	Traffic volume	Standard
	Exterior usage	Yes (IP55), Up to 85% humidity without condensation, Temperature (-20°C and +70°C)
	Hardware compatibility and installation	High retrofit, Drilling, no cabling
	Power supply	Battery (up to 20.000 Cycles and max. 3 years), 3 x Standard LR03 AAA 1.5V batteries
	System management	Stand-Alone, Offline, Update on Card, Wireless online
	Multi-authentication	No
	Status information	No
	Certifications	CE

SMARTair™ Cabinet lock



- 1. RFID reader with LED (green/red signal) with 1cm read/write distance
- 2. Special water resistant bracelet for Health Spa's and swimming pools which enables users to go running or to swim available

Technical drawings and dimensions



- 1. Right handed door short
- 2. Right handed door long