

## DC700 with G460

# Door closer with Cam-Motion® technology and electromechanical hold-open device



### ASSA ABLOY DC700 with G460

- Door closer with Cam-Motion® technology and guide rail with electro-mechanical hold-open device for single leaf doors
- Certified in compliance with EN1154/EN1155, size 3-6
- Hold-open angle continuously adjustable between 70°-130°
- Suitable for fire and smoke protection doors up to 1400 mm wide

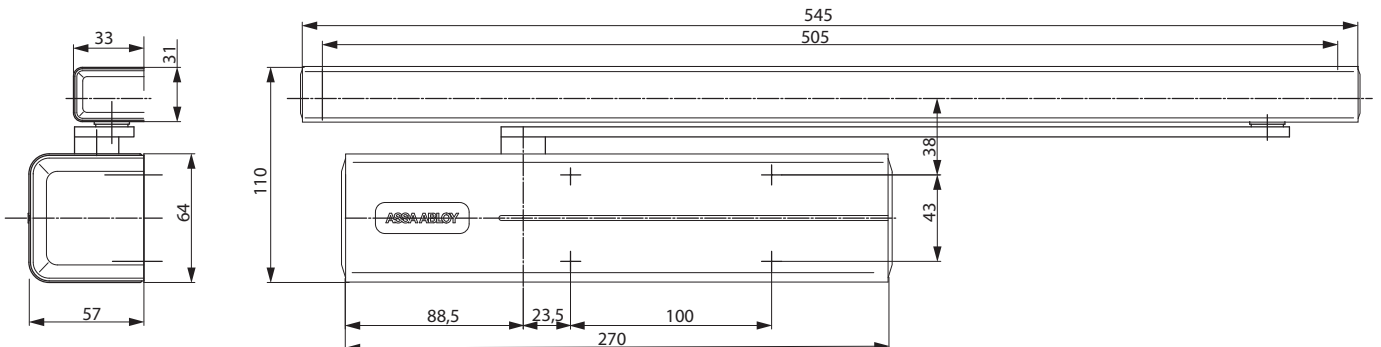
### Characteristic of DC700 with G460

- Electro-mechanical hold-open device
- Continuously adjustable holding force
- Hold-open angle adjustable between 70°-130°
- Door opening angle up to 130°
- Can be used for left and right handed doors
- Standard mounting position on hinge side and non-hinge side
- Axis continuously height adjustable up to 14 mm
- Large range of applications
- Standard colours: silver EV1; white, similar to RAL9016; brown, similar to RAL8014; black, similar to RAL9005, stainless steel
- Customised finishes available on request



|                            |   |             |         |    |      |                      |   |   |
|----------------------------|---|-------------|---------|----|------|----------------------|---|---|
| CE                         | Abloy Oy,<br>PO Box 108<br>80101 Joensuu<br>Finland | Wrench icon | QR code | 10 |      |                      |   |   |
|                            |   |             |         |    | G460 | EN 1155:1997+A1:2002 | 3 | 8 |
| Dangerous substances: None |   |             |         |    |      |                      |   |   |

|                            |   |             |         |    |       |                              |   |   |
|----------------------------|---|-------------|---------|----|-------|------------------------------|---|---|
| CE                         | Abloy Oy,<br>PO Box 108<br>80101 Joensuu<br>Finland | Wrench icon | QR code | 16 |       |                              |   |   |
|                            |   |             |         |    | DC700 | EN 1154:1996/A1:2002/AC:2006 | 3 | 8 |
| Dangerous substances: None |   |             |         |    |       |                              |   |   |



# DC700 with G460

## Technical attributes

### Guide rail G460

| Technical attributes                        |                 |
|---|-----------------|
| Door width up to                            | 1400 mm         |
| Hold open angle (continuously adjustable)   | 70° - 130°      |
| Hold open angle non-hinge side installation | 70° - 120°      |
| Required power supply                       | 24 V DC         |
| Max. consumption                            | 60 mA           |
| Weight                                      | 1.2 kg          |
| Height                                      | 31 mm           |
| Depth                                       | 34 mm           |
| Length                                      | 545 mm          |
| Certified in compliance with                | EN1154 / EN1155 |
| CE marking for building products            | Yes             |

Facts for door closer see DC700

### The advantages at a glance

| Customer segment | Advantages  |
|------------------|---|
| Project planners | - Extensive range of uses: Fire and smoke protection doors as well as standard doors<br>- Modern design<br>- Compact design   |
| Builders         | - Adjustable to nearly any door and frame types<br>- Quick and easy installation<br>- Quickly and easily adjustable<br>- Suitable for left and right handed doors for standard mounting on hinge and non hinge side |
| Trade            | - Reduced inventory costs due to modular product range<br>- One single product suitable for a large variety of mounting positions   |
| User             | - Adjustable operating force, to meet door construction requirements and user need  |

Our service for you: here you can see the individual advantages of our door closer models for your respective field of business.

You can find the complete specification on the internet at: [www.assaabloy.de](http://www.assaabloy.de)

### Specification for DC700 with G460

ASSA ABLOY door closer DC700 with Cam-Motion® technology, guide rail G460 with electro-mechanical hold-open device, 24 V DC

- Power supply 24 V DC
- Hold-open force continuously adjustable, EN size 3 – 6
- Hold-open angle adjustable between 70°-130°
- Hold-open angle non-hing side adjustable between 70° and 120°
- Can be used for left and right handed doors
- Standard mounting position on hinge side and non-hinge side
- Axis continuously height adjustable up to 14 mm
- Large range of applications
- With technical approval for different smoke detection systems

### Accessories:

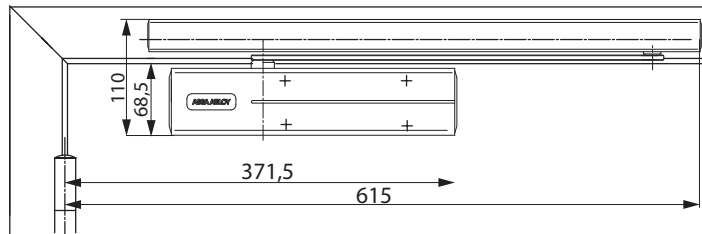
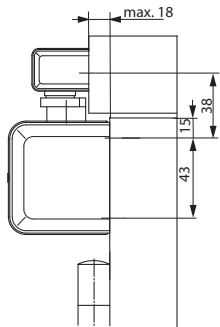
- Mounting plate A115
- Angle bracket A116
- Smoke protection detector A177
- Flush mounted door release button A178

### Colour:

- Silver EV1
- White, similar to RAL9016
- Brown, similar to RAL8014
- Black, similar to RAL9005
- Stainless steel

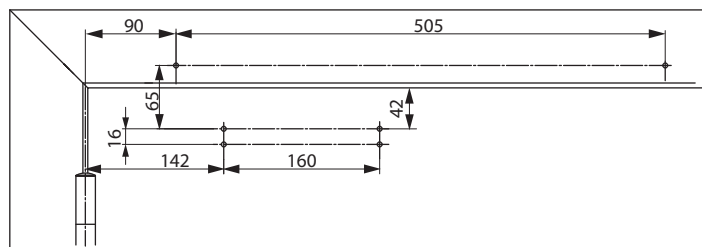
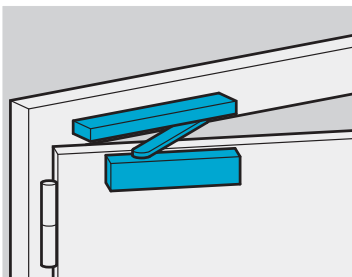
# DC700 with G460

## Dimensional drawings and accessories



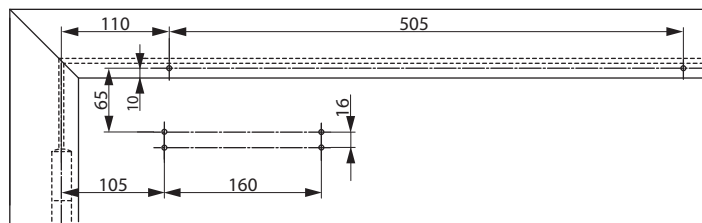
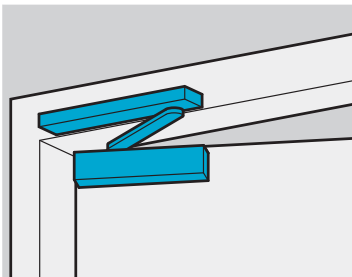
### Regular mounting on hinge side

Left handed shown in diagram  
Right handed is the reverse



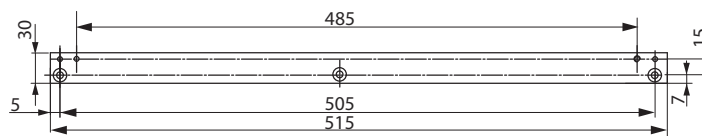
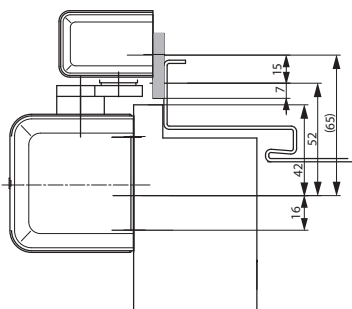
### Installation dimensions with mounting plate for standard mounting on hinge side

In compliance with EN 1154, Supplement 1, or for doors where direct mounting is not possible.  
Left handed shown in diagram  
Right handed is the reverse



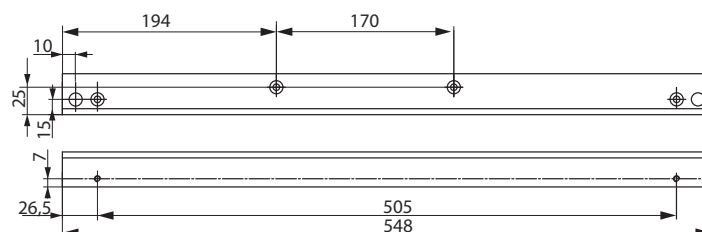
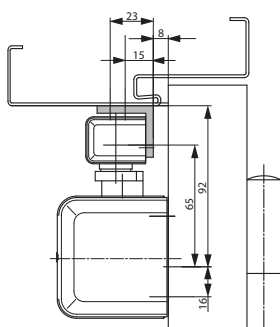
### Installation dimensions with mounting plate for standard mounting on non-hinge side

For doors where direct mounting is not possible  
Right handed door shown in diagram  
Left handed door is the reserve



### Mounting plate A115

For guide rail G460



### Angle bracket A116

For guide rail G460 non-hinge side mounting.

## DC700 with G460

### Accessories and order placement information

#### Flush mounted door release button A178

For manual release of hold-open.



#### Smoke protection detector A177 (optical)

Operating voltage 15-30 V DC



| Designation / Item                        | Order no.       |
|---|-----------------|
| Guide rail G460, silver EV1               | DCG460----DEV1- |
| Guide rail G460, white similar to RAL9016 | DCG460----D9016 |
| Guide rail G460, brown similar to RAL8014 | DCG460----D8014 |
| Guide rail G460, black similar to RAL9005 | DCG460----D9005 |
| Guide rail G460, stainless steel          | DCG460----D35-- |
| Guide rail G460, customised finish        | DCG460----DXXXX |

| Designation / Item                     | Order no.       |
|--|-----------------|
| Mounting plate A115, silver EV1        | DCA115-----EV1- |
| Mounting plate A115, customised finish | DCA115-----XXXX |
| Angle bracket A116, silver EV1         | DCA116-----EV1- |
| Angle bracket A116, customised finish  | DCA116-----XXXX |
| Smoke protection detector A177         | DCA177-----     |
| Flush mounted door release button A178 | DCA178-----     |