

DC840

Concealed door closer with Cam-Motion® technology and guide rail



ASSA ABLOY DC840

- Concealed door closer with Cam-Motion® technology and small standard concealed guide rail G892 or standard concealed guide rail G893
- Fulfills barrier-free building requirements (EA / CEN TR 15894)
- Certified in compliance with EN 1154, size 1-4
- Suitable for fire and smoke protection doors
- For single action doors up to 1100 mm wide

Characteristics of DC840

- Can be used for left and right-handed doors
- Closing speed and latching speed adjustable from top facing regulating valves
- Built-in backcheck
- Thermodynamic valves for consistent performance
- Opening angle up to 120°
- Large range of applications
- Versions with 4 mm and 8 mm spindle extensions
- Standard colours: silver EV1
- Can be used for left and right-handed doors

Characteristics of standard guide rail G892

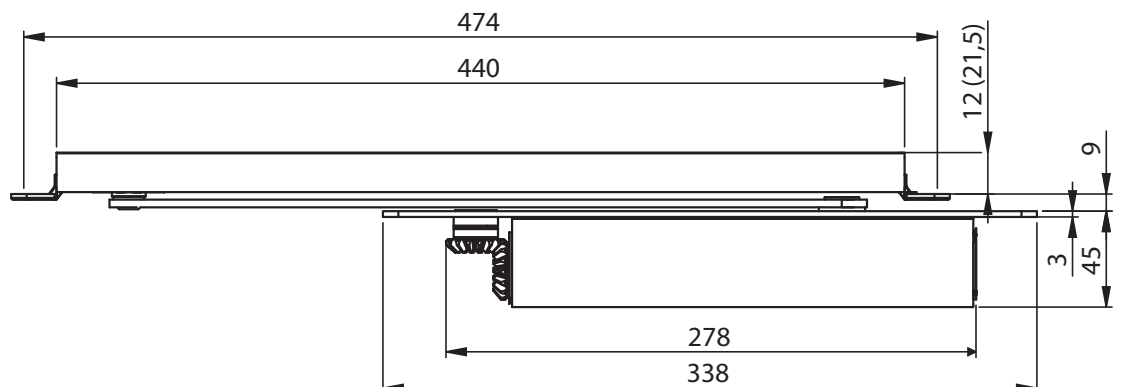
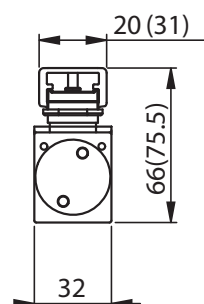
- Small size guide rail, can be used with hold-open device and opening damper
- For standard applications
- Installation dimensions: see diagram

Characteristics of guide rail G893

- Guide rail suitable for equipping with hold-open device and opening damper
- Installation dimensions: see diagram (dimensions in brackets)



CE	Abloy Oy, PO Box 108 80101 Joensuu Finland			11					
					DC840	EN 1154:1996+A1:2002 0432-CPD-0047	3	8	4 1
Dangerous substances: None									



DC840

Technical attributes

Technical attributes	
Max. door opening angle	Ca. 120°
Closing force	EN 1-4
Door width up to	1100 mm
Suitable for fire doors	Yes*
Handing	Left / right handed
Closing speed	Variable 120° - 7°
Latching speed	Variable 7° - 0°
Weight	1.4 kg
Height	45 mm
Depth	32 mm
Length	278 mm
Certified in compliance with	EN 1154
CE marking for building products	Yes

*Additional verification of suitability required for the respective fire smoke protection door

The advantages at a glance

Customer segment	Advantages
Project planners	- Extensive range of uses: Fire and smoke protection doors as well as standard doors - Fulfills barrier-free building requirements (EA / CEN TR 15894) - Comprehensive functions, standard or optional
Builders	- Quick and easy installation - Quickly and easily adjustable - Suitable for left and right handed doors
Trade	- Reduced inventory costs due to modular product range - One single product suitable for a large variety of mounting positions - Complementary accessories available for the whole product range
User	- Easier door opening and improved accessibility due to rapidly decreasing torque - Largely unaffected by temperature fluctuations thanks to thermodynamic valves

Our service for you: here you can see the individual advantages of our door closer models for your respective field of business.

Specifications for DC840

ASSA ABLOY Concealed Door Closer DC840 with CAM Motion® Technology and concealed guide rail in compliance with EN 1154

- Closing power continuously adjustable, EN size 1-4, for doors up to 1100 mm wide
- Closing speed, latching speed and closing force continuously adjustable when installed
- CE approved
- Suitable for left and right handed doors
- Additional verification of suitability required for the respective fire or smoke protection door

Accessories:

- Small concealed guide rail G892
- Standard concealed guide rail G893
- Mechanical hold-open device A152 for G893
- Mechanical opening damper A153 for G893
- Mechanical hold-open device A156 for G892
- Mechanical opening damper A157 for G892
- Fixing plate A162
- Fire protection A192

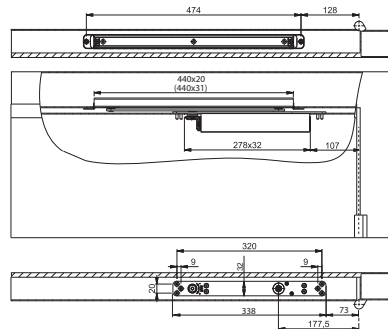
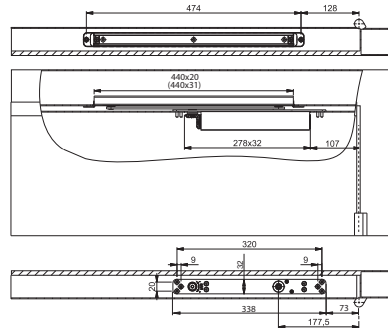
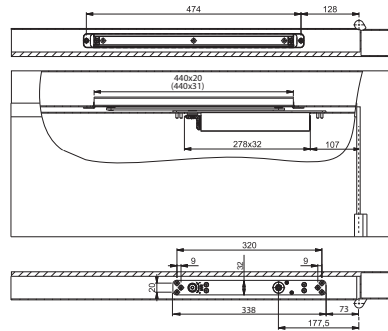
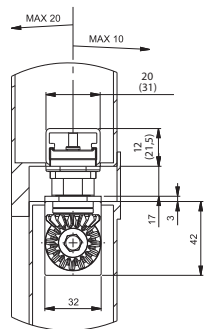
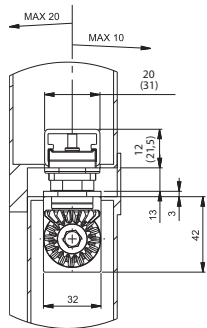
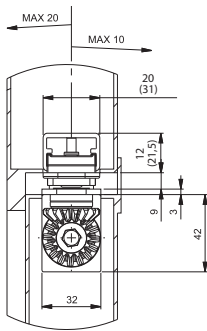
Colour:

- Silver EV1
- Customised finish

You can find the complete specification on the internet at: www.assaabloy.de

DC840

Dimensional drawings



Installation dimensions

Right handed door shown in diagram
Left handed door is the reverse

Installation dimensions with 4 mm axis extension

Right handed door shown in diagram
Left handed door is the reverse

Installation dimensions with 8 mm axis extension

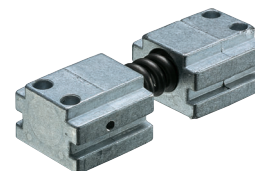
Right handed door shown in diagram
Left handed door is the reverse

DC840

Accessories and order placement information

Opening damper A153

Helps to prevent the door and door handle from hitting a return wall.
Simple fitting into guide rail.
Opening damper continuously adjustable up to an opening angle of max. 130°.
Does not replace a door stop.



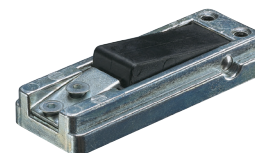
Mechanical opening damper A157

Helps to prevent the door and door handle from hitting a return wall.
Simple fitting into guide rail G892, does not replace a door stop.



Hold-open device A152

Mechanical hold-open device for doors which sometimes need to be secured in the open position.
Simple fitting into guide rail G193 and G195.
Hold-open angle max. 130°
Not approved for use on fire and smoke protection doors
Continuously adjustable holding force



Hold-open device A156

Mechanical hold-open device for doors which sometimes need to be secured in the open position.
Simple fitting to guide rail G892.
Not approved for use on fire and smoke protection doors



Fire protection A192

Not approved for use on fire and smoke protection doors
Fire protection for improving fire resistance
The Fire protection is used depending on the door type to improve fire resistance.
It is stuck on the electric strike from above. The adjustment options remain the same.



Fixing plate A162

Mounting plate set for metal doors.



Designation / Item	Order no.
DC840 EN size 1 – 4, silver EV1	DC840 -----EV1-
DC840 EN size 1-4, spindle extension 4 mm, silver EV1	DC8404 -----EV1-
DC840 EN size 1-4, spindle extension 8 mm, silver EV1	DC8408 -----EV1-
Concealed Standard Guide Rail G892, small, silver EV1	DCG892 -----EV1-
Concealed Standard Guide Rail G892, small, customised finish	DCG892 -----XXXX
Concealed standard guide rail G893, silver EV1	DCG893 -----EV1-

Designation / Item	Order no.
Concealed standard guide rail G893, customised finish	DCG893 -----XXXX
Hold-open device A152	DCA152 -----
Opening damper A153	DCA153 -----
Hold-open device A156	DCA156 -----
Backcheck A157	DCA157 -----
Mounting Plate A162, galvanised A162	DCA162 -----40
Fire protection A192	DCA192 -----