

DC477

Floor spring with Cam-Motion® technology and adjustable closing force for heavy doors



ASSA ABLOY DC477

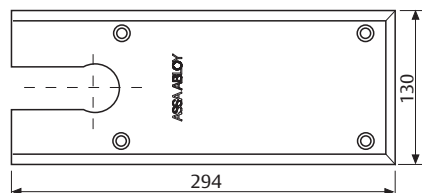
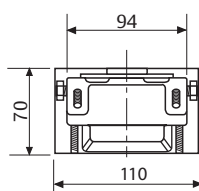
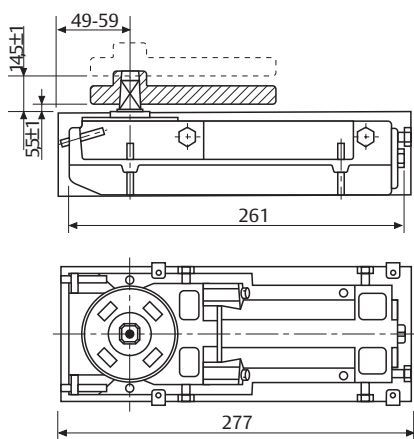
- Floor spring with adjustable closing force for large and heavy doors
- Certified in accordance with EN 1154, size 2-4, cycle test over 1000,000 cycles
- Suitable for fire and smoke protection doors
- For double action doors up to 170 kg

Characteristics of DC477

- From 175° in both door swing directions with hydraulic
- control from 150° Two thermodynamic valves for consistent performance
- Adjustable door speed and latching speed from top regulating valves
- Backcheck
- Cast iron body
- Adjustments in all directions within the cement box
- Cement box in hot zinc plated
- Cover plates and eyelets made in polished or satin stainless steel and polished brass
- Interchangeable spindle from 0 to + 30 mm
- Available without hold-open or with hold-open angle 90° and 105°



CE	ASSA ABLOY Italia S.p.A. Via Modena, 69 40017 San Giovanni in Persiceto Bologna - Italy	10					
		0425.DO.2221	EN 1154:1996+A1:2002	3	8	2 4	1



DC477

Technical attributes

Technical attributes	
Closing force	EN 2-4
Door width up to	1100 mm
Max door weight	170 kg
Max. opening angle	175° (with no hold-open version max 150°)
Closing speed	Variable between 150°- 15°
Latching speed	Variable between 15°- 0°
Backcheck	mechanical
Weight	5,4 kg
Height	70 mm
Length	277 mm
Width	110 mm
Body adjustment within cement box	vertical 9 mm, side 4 mm, front 10 mm, angular 4°
Direction	Left/right handed double action doors
Hold-open mode	90° / 105° / non hold-open
Certified in compliance with	EN 1154
CE marking for building products	Yes
Suitable for fire doors	Yes

The advantages at a glance

Customer segment	Advantages
Project planners	<ul style="list-style-type: none"> - Extensive range of uses: Fire and smoke protection doors as well as standard doors - Hold-open at 90°, 105° and non hold-open - Variety of available spindles: square Italian, rectangular German - Architectural finishes: Coverplates and eyelets in polished stainless steel, satin stainless steel, polished brass
Builders	<ul style="list-style-type: none"> - Universal for left/right handed and double action doors - Overpressure relief valve to protect unit against abuse - Large range of adjustment within cement box to solve possible alignment problems on the site without taking down the door
Trade	<ul style="list-style-type: none"> - Reduced inventory costs due to modular product range - One single product suitable for a large variety of mounting positions
User	<ul style="list-style-type: none"> - Ideal for residential interiors thanks to adjustable opening/closing force that makes opening/closing easy - Adjustable operating force to meet door construction requirements and user needs - Easier door opening and improved accessibility due to Cam-Motion® technology - Backcheck feature offers optimum protection for doors and walls

Our service for you: here you can see the individual advantages of our door closer models for your respective field of business.

You can find the complete specification on the internet at: www.assaabloy.de

Specifications for DC475

ASSA ABLOY Floor spring DC477 featuring Cam-Motion® technology in compliance with EN 1154, cycle test over 1000,000 cycles

- Closing power variable adjustable, EN size 2-4, for doors up to 1100 mm wide
- Closing speed and latching speed adjustable from top facing regulating valves
- CE approved
- 9 mm height adjustable within cement box
- Suitable for left/right handed double action doors

Accessories:

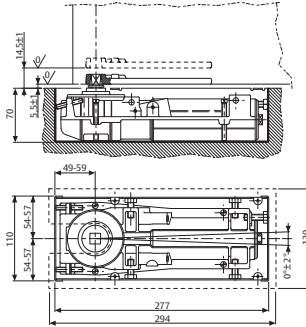
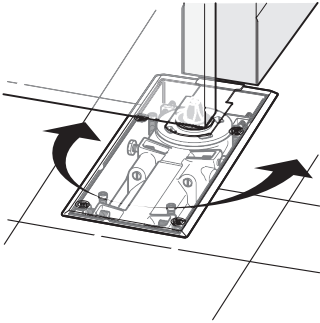
- AC115 - Reversible bottom arm Italian spindle
- AC393 - Reversible bottom arm German spindle
- AC8 - Double action top pivot
- AC375 - Double action top pivot
- AC392 - Right & left bottom arm. Socket for German rectangular spindle.
- AC583 - Right and leftbottom arm. Socketfor Italian square-spindle.
- AC384 - Top pivot for left or right doors
- AC612- Sealing Compound for floor springs
- AC534 - Cover plat for DC477

Colour:

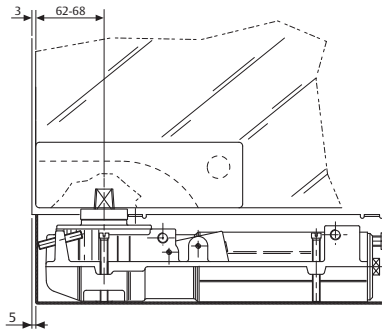
- Polished stainless steel
- Satin stainless steel
- Polished brass

DC477

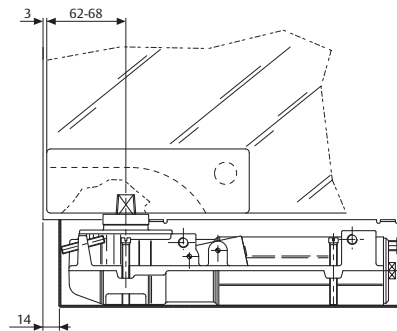
Dimensional drawings and accessories



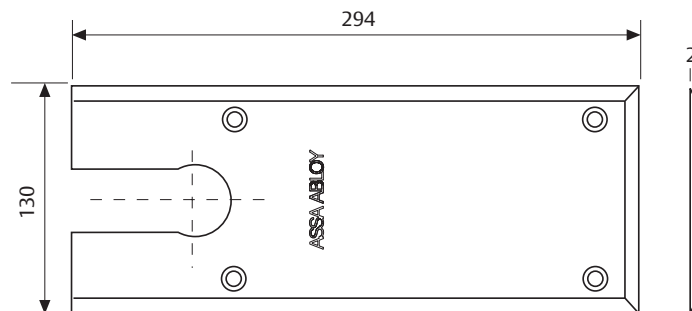
Double action door mounting



Right-handed double action door with patch fitting V500 Bottom hinge for centre-hung doors

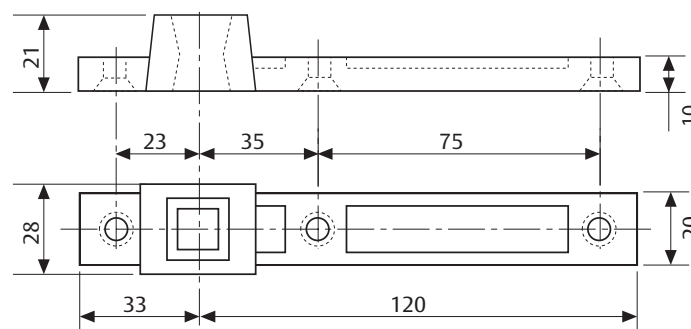


Left-handed double action door with patch fitting V500 Bottom hinge for centre-hung doors



AC534

Available in satin stainless steel, polished stainless steel and polished brass.

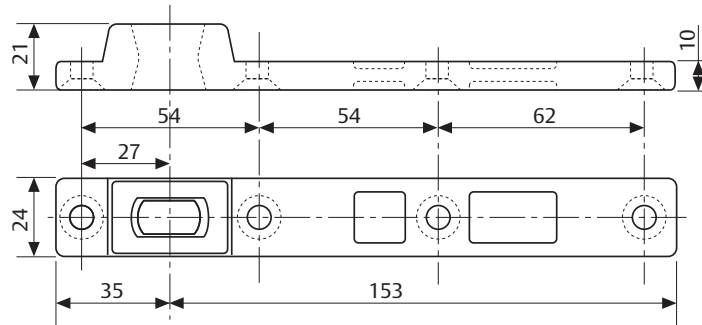


AC115

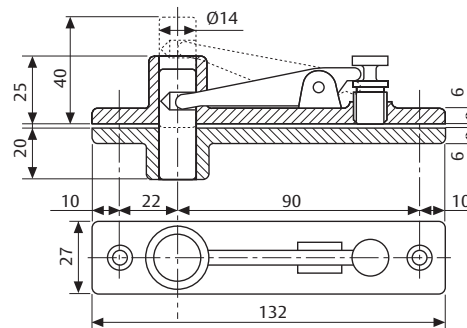
Reversible bottom arm in steel for double action doors.

DC477

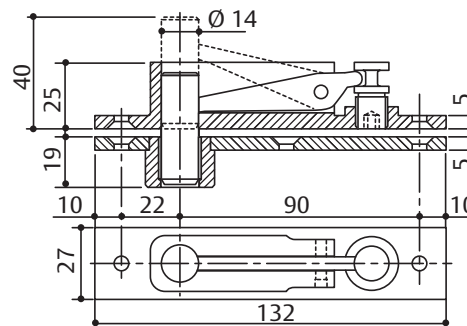
Accessories



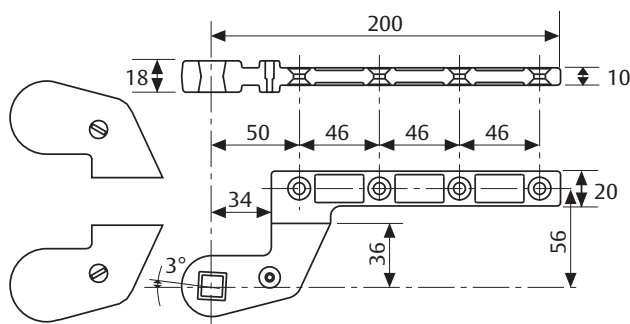
AC393
Reversible bottom arm in steel for double action doors. Rectangular German spindle.



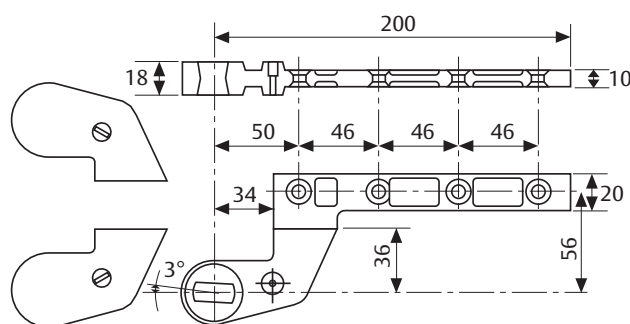
AC8
Double action top pivot.



AC375
Double action top pivot in full steel with self lubricating bushing.



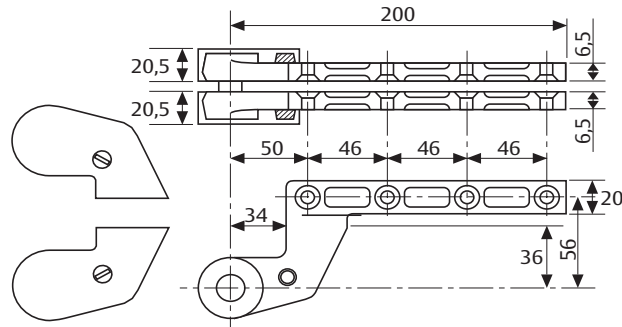
AC583
Right and left bottom arm in steel for single action doors, 36 mm offset. Socket for Italian square spindle. Silver or black painted.



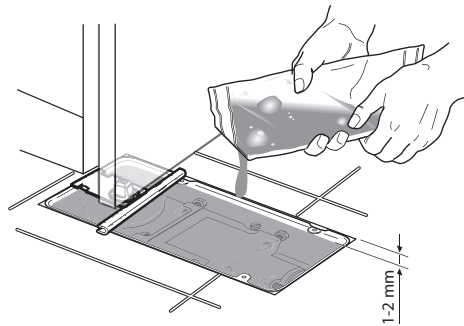
AC392
Right and left bottom arm in steel for single action doors, 36 mm offset. Socket for German rectangular spindle.

DC477

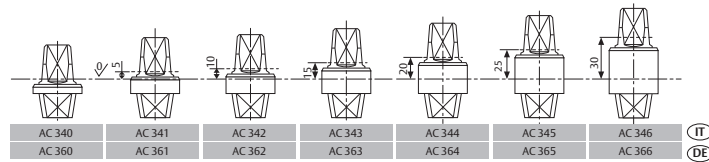
Accessories



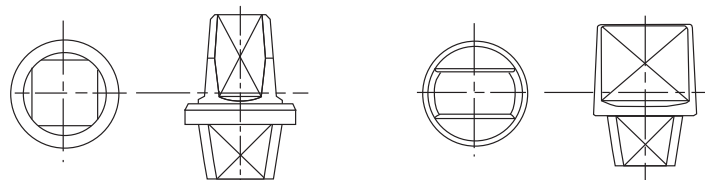
AC384
Right and Left Top Arm
in full steel, 36 mm offset.



AC612
Sealing Compound for
floor springs.



Detachable spindles



Detachable spindles
Italian spindle - square
shape (left image)
German spindle - flat-co-
nical shape (right image)

Order placement information

Designation / Item	Order no.	Designation / Item	Order no.
DC477 Floorspring size 2 - 4 with Hold-Open at 105°	D C E 7 9 1 0 T S R	AC364 Detachable Italian Spindle h = 20 mm - zinc plated	M A 0 3 6 4 S 0
DC477 Floorspring size 2 - 4 with Hold-Open at 90°	D C E 7 9 6 0 T S R	AC365 Detachable Italian Spindle h = 25 mm - zinc plated	M A 0 3 6 5 S 0
DC477 Floorspring size 2 - 4 without Hold-Open	D C E 7 9 8 0 T S R	AC366 Detachable Italian Spindle h = 30 mm - zinc plated	M A 0 3 6 6 S 0
AC534 cover plate for DC477, polished stainless steel	D C A 0 5 3 4 I R	AC115 Reversible bottom arm in steel for double action doors. Socket for Italian Spindle	M A 0 1 1 5 S 0
AC534 cover plate for DC477, satin stainless steel	D C A 0 5 3 4 H R	AC393 Reversible bottom arm in steel for double action doors. Socket for German Spindle	M A 0 3 9 3 S 0
AC534 cover plate for DC477 – polished brass	D C A 0 5 3 4 P R	AC8 Double action top pivot	M A 0 0 0 8 S 0
AC340 Detachable Italian Spindle h = 0 mm - zinc plated	M A 0 3 4 0 S 0	AC375 Double action top pivot in full steel with self-lubricating bushing	M A 0 3 7 5 S 0
AC341 Detachable Italian Spindle h = 5 mm - zinc plated	M A 0 3 4 1 S 0	AC583 Right and left bottom arm in steel for single action doors, 36 mm offset. Socket for Italian spindle. ABS cover in silver	M A 0 5 8 3 0 0
AC342 Detachable Italian Spindle h = 10 mm - zinc plated	M A 0 3 4 2 S 0	AC583 Right and left bottom arm in steel for single action doors, 36 mm offset. Socket for Italian spindle. ABS cover in black	M A 0 5 8 3 3 0
AC343 Detachable Italian Spindle h = 15 mm - zinc plated	M A 0 3 4 3 S 0	AC392 Right and left bottom arm in steel for single action doors, 36 mm offset. Socket for Italian spindle. ABS cover in silver	M A 0 3 9 2 0 0
AC344 Detachable Italian Spindle h = 20 mm - zinc plated	M A 0 3 4 4 S 0	AC392 Right and left bottom arm in steel for single action doors, 36 mm offset. Socket for Italian spindle. ABS cover in black	M A 0 3 9 2 3 0
AC345 Detachable Italian Spindle h = 25 mm - zinc plated	M A 0 3 4 5 S 0	AC384 Right and left top arm in full steel, 36 mm offset. ABS cover in silver	M A 0 3 8 4 0 0
AC346 Detachable Italian Spindle h = 30 mm - zinc plated	M A 0 3 4 6 S 0	AC384 Right and left top arm in full steel, 36 mm offset. ABS cover in black	M A 0 3 8 4 3 0
AC360 Detachable Italian Spindle h = 0 mm - zinc plated	M A 0 3 6 0 S 0	AC612 Sealing compound for floorsprings	M A 0 6 1 2 S 0
AC361 Detachable Italian Spindle h = 5 mm - zinc plated	M A 0 3 6 1 S 0		
AC362 Detachable Italian Spindle h = 10 mm - zinc plated	M A 0 3 6 2 S 0		
AC363 Detachable Italian Spindle h = 15 mm - zinc plated	M A 0 3 6 3 S 0		