

# DC475

Floor spring with Cam-Motion® technology and adjustable closing force for large or very heavy doors



### ASSA ABLOY DC475

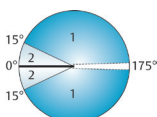
- Floor spring with adjustable closing force for large and very heavy doors.
- Certified in compliance with EN 1154, size 3-6, cycle test over 1000,000 cycles
- Suitable for fire and smoke protection doors
- For double and single action door up to 300 kg

### Characteristics of DC475

- Closing from 175° in both door swing directions with hydraulic control from 175°
- Two thermodynamic valves for consistent performance
- Adjustable door speed and latching speed from top regulating valves
- Backcheck
- Cast iron body
- Adjustments in all directions within the cement box
- Cement box in hot zinc plated
- Cover plates and eyelets made in polished or satin stainless steel and polished brass
- Interchangeable spindle from 0 to +30 mm
- Available without hold-open or with hold-open angle 90° and 105°

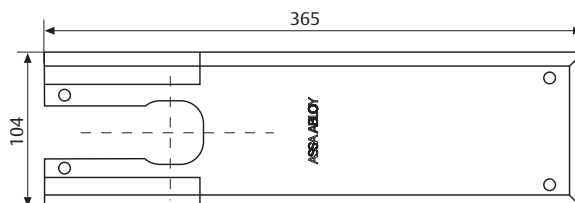
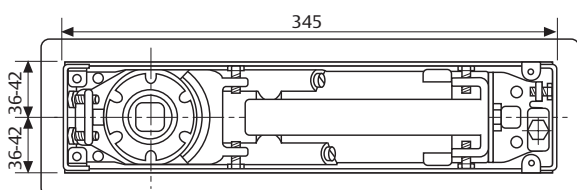
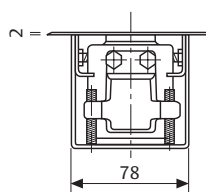
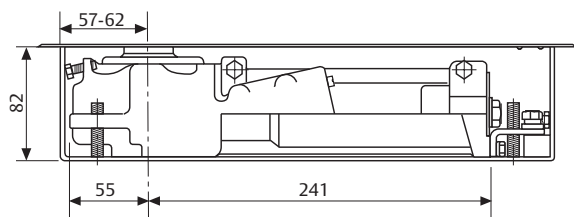


CE	ASSA ABLOY Italia S.p.A. Via Bovaresa, 13 40017 San Giovanni in Persiceto Bologna - Italy	04					
	0425 DO.0663	EN 1154:1996+A1:2002	3	8	3 6	1	1



### Speed adjustment

- 1 Variable closing speed 175° - 15°
- 2 Variable latching speed 15° - 0°



# DC475

## Technical attributes

Technical attributes	
Closing force	EN 3 - 6
Door width up to	1400 mm
Max door weight	300 kg
Max. opening angle	175°
Closing speed	Variable between 175° - 15°
Latching speed	Variable between 15° - 0°
Backcheck	mechanical
Weight	7.3 kg
Height	82 mm
Length	345 mm
Width	78 mm
Body adjustment within cement box	vertical 9 mm, side 6 mm, front 5 mm, angular 2°
Direction	Left / right handed doors or double action
Hold-open mode	90°/105°/non hold-open
Certified in compliance with	EN 1154
CE marking for building products	Yes
Suitable for fire doors	Yes

### The advantages at a glance

Customer segment	Advantages
Project planners	<ul style="list-style-type: none"> <li>- Extensive range of uses: Fire and smoke protection doors as well as standard doors</li> <li>- Hold-open at 90°, 105° and non hold-open</li> <li>- Variety of available spindles: square Italian, rectangular German</li> <li>- Architectural finishes: Coverplates and eyelets in polished stainless steel, satin stainless steel, polished brass</li> </ul>
Builders	<ul style="list-style-type: none"> <li>- Universal for left/right handed and double action doors</li> <li>- Overpressure relief valve to protect unit against abuse</li> <li>- Large range of adjustment within cement box to solve possible alignment problems on the site without taking down the door</li> </ul>
Trade	<ul style="list-style-type: none"> <li>- Reduced inventory costs due to modular product range</li> <li>- One single product suitable for a large variety of mounting positions</li> </ul>
User	<ul style="list-style-type: none"> <li>- Adjustable operating force to meet door construction requirements and user needs</li> <li>- Easier door opening and improved accessibility due to Cam-Motion® technology</li> <li>- Backcheck feature offers optimum protection for doors and walls</li> </ul>

Our service for you: here you can see the individual advantages of our door closer models for your respective field of business.

You can find the complete specification on the internet at: [www.assaabloy.de](http://www.assaabloy.de)

### Specifications for DC475

ASSA ABLOY Floor spring DC475 featuring Cam-Motion® technology in compliance with EN 1154, cycle test over 1000,000 cycles

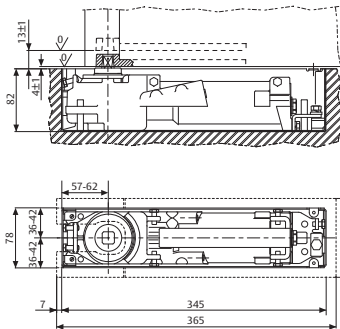
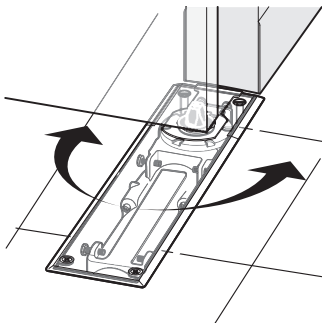
- Closing power variable adjustable, EN size 3-6, for doors up to 1400 mm wide
- Closing speed, latch speed adjustable from top regulating valves
- CE approved
- 9 mm height adjustable within cement box
- Suitable for left/right handed double action doors

### Accessories:

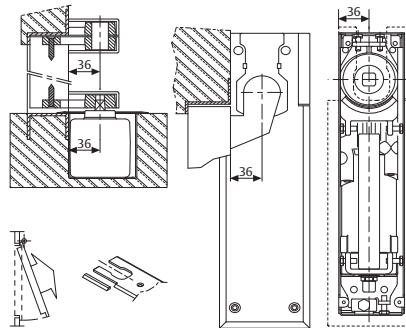
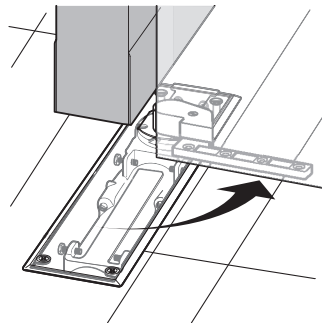
- AC115 - Reversible bottom arm Italian spindle
  - AC393 - Reversible bottom arm German spindle
  - AC8 - Double action top pivot
  - AC375 - Double action top pivot
  - AC583 - Right and left bottom arm. Socket for Italian square spindle.
  - AC392 - Right & left bottom arm. Socket for German rectangular spindle.
  - AC384 - Top pivot for left or right doors
  - AC612 - Sealing Compound for floor springs
- Colour:
- Polished stainless steel
  - Satin stainless steel
  - Polished brass

# DC475

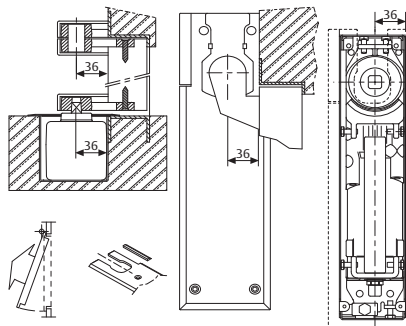
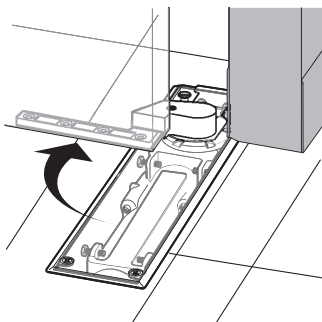
## Dimensional drawings and accessories



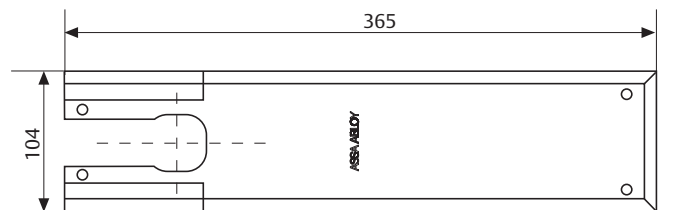
Installation on double-leaf doors



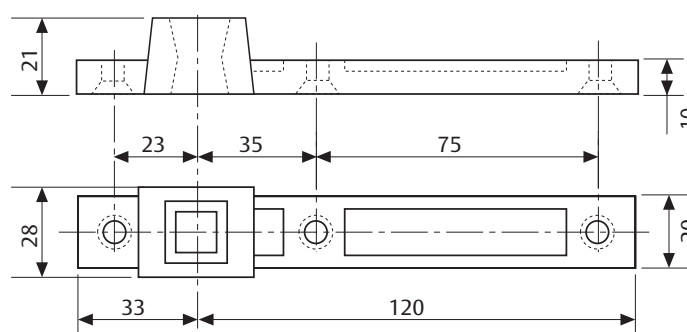
Installation on right-handed doors



Installation on left-handed doors



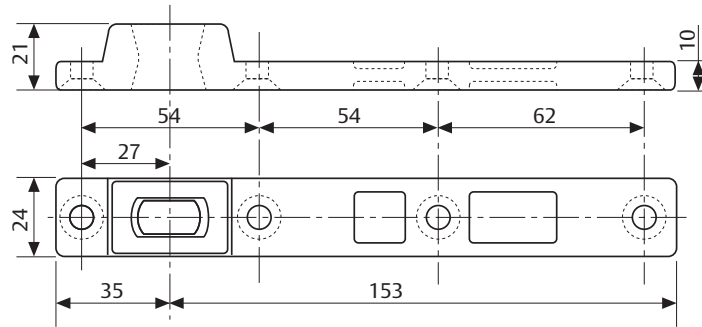
**AC269**  
Available in satin stainless steel, polished stainless steel and polished brass.



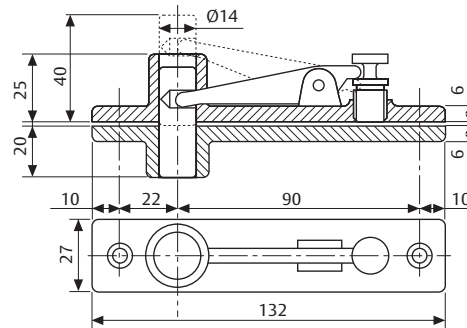
**AC115**  
Reversible bottom arm in steel for double action doors. Socket for Italian squared spindle.

# DC475

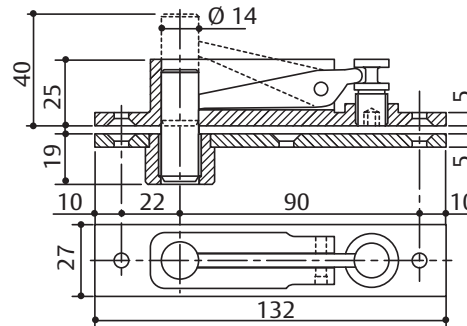
## Accessories



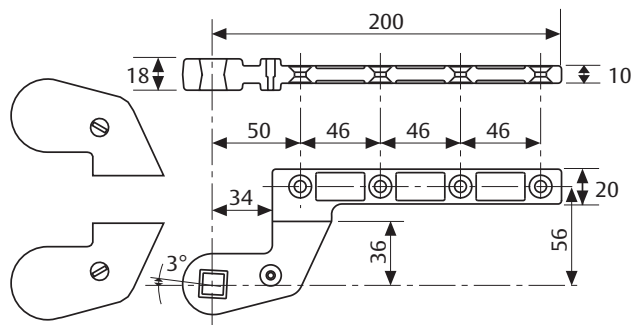
**AC393**  
Reversible bottom arm in steel for double action doors. Socket for German rectangular spindle.



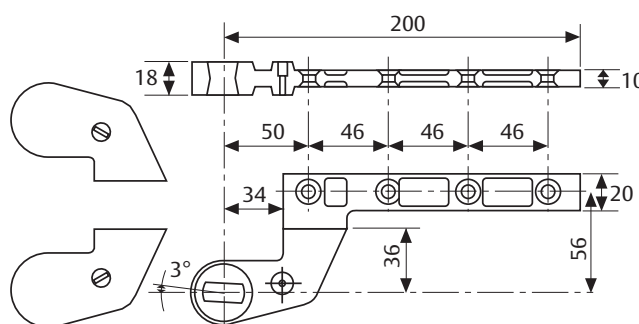
**AC8**  
Top pivot for double action doors



**AC375**  
Double action top pivot in full steel with self lubricating bushing.



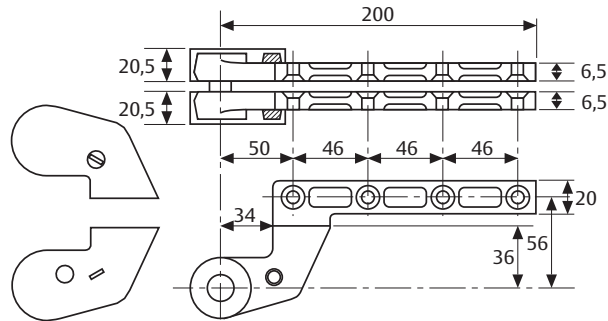
**AC583**  
Right and left bottom arm in steel for single action doors, 36 mm offset. Socket for Italian square spindle. Silver or black painted.



**AC392**  
Right and left bottom arm in steel for single action doors, 36 mm offset. Socket for German rectangular spindle. Silver and black painted ABS covers.

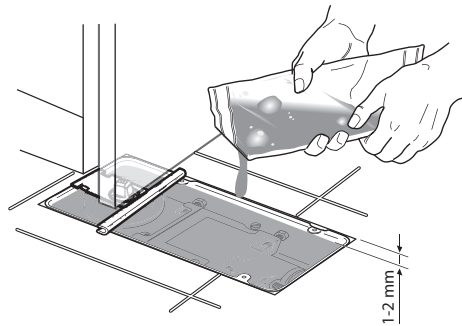
# DC475

## Accessories



### AC384

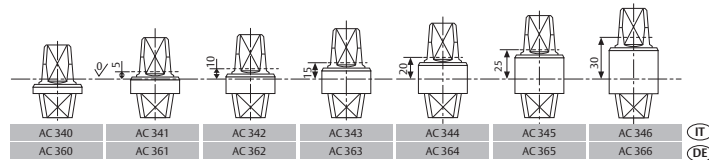
Right and Left Top Arm in full steel, 36 mm offset. Silver or black painted ABS cover.



### AC612

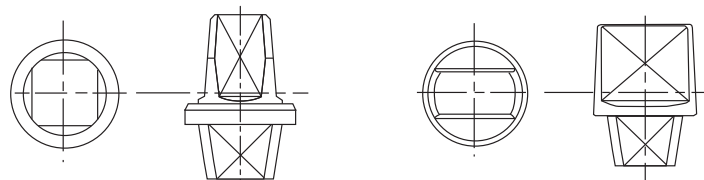
Sealing Compound for floor springs.

### Detachable spindles



### Detachable spindles

Italian spindle - square shape (left image)  
 German spindle - flat-conical shape (right image)



## Order placement information

Designation / Item	Order no.	Designation / Item	Order no.
DC475 Floorspring size 3 - 6 with Hold-Open at 105°	D C E 7 4 1 0 T S R	AC364 Detachable Italian Spindle h = 20 mm - zinc plated	M A 0 3 6 4 S 0
DC475 Floorspring size 3 - 6 with Hold-Open at 90°	D C E 7 4 6 0 T S R	AC365 Detachable Italian Spindle h = 25 mm - zinc plated	M A 0 3 6 5 S 0
DC475 Floorspring size 3 - 6 without Hold-Open	D C E 7 4 9 0 T S R	AC366 Detachable Italian Spindle h = 30 mm - zinc plated	M A 0 3 6 6 S 0
AC269 Cover Plate for DC475 Polished Stainless Steel	D C A 0 2 6 9 I R	AC115 Reversible bottom arm in steel for double action doors. Socket for Italian Spindle	M A 0 1 1 5 S 0
AC269 Cover Plate for DC475 Satin Stainless Steel	D C A 0 2 6 9 H R	AC393 Reversible bottom arm in steel for double action doors. Socket for German Spindle	M A 0 3 9 3 S 0
AC269 Cover Plate for DC475 Polished Brass	D C A 0 2 6 9 P R	AC8 Double action top pivot	M A 0 0 0 8 S 0
AC340 Detachable Italian Spindle h = 0 mm - zinc plated	M A 0 3 4 0 S 0	AC375 Double action top pivot in full steel with self-lubricating bushing	M A 0 3 7 5 S 0
AC341 Detachable Italian Spindle h = 5 mm - zinc plated	M A 0 3 4 1 S 0	AC583 Right and left bottom arm in steel for single action doors, 36 mm offset. Socket for Italian spindle. ABS cover in silver	M A 0 5 8 3 0 0
AC342 Detachable Italian Spindle h = 10 mm - zinc plated	M A 0 3 4 2 S 0	AC583 Right and left bottom arm in steel for single action doors, 36 mm offset. Socket for Italian spindle. ABS cover in black	M A 0 5 8 3 3 0
AC343 Detachable Italian Spindle h = 15 mm - zinc plated	M A 0 3 4 3 S 0	AC392 Right and left bottom arm in steel for single action doors, 36 mm offset. Socket for Italian spindle. ABS cover in silver	M A 0 3 9 2 0 0
AC344 Detachable Italian Spindle h = 20 mm - zinc plated	M A 0 3 4 4 S 0	AC392 Right and left bottom arm in steel for single action doors, 36 mm offset. Socket for Italian spindle. ABS cover in black	M A 0 3 9 2 3 0
AC345 Detachable Italian Spindle h = 25 mm - zinc plated	M A 0 3 4 5 S 0	AC384 Right and left top arm in full steel, 36 mm offset. ABS cover in silver	M A 0 3 8 4 0 0
AC346 Detachable Italian Spindle h = 30 mm - zinc plated	M A 0 3 4 6 S 0	AC384 Right and left top arm in full steel, 36 mm offset. ABS cover in black	M A 0 3 8 4 3 0
AC360 Detachable Italian Spindle h = 0 mm - zinc plated	M A 0 3 6 0 S 0	AC612 Sealing compound for floorsprings	M A 0 6 1 2 S 0
AC361 Detachable Italian Spindle h = 5 mm - zinc plated	M A 0 3 6 1 S 0		
AC362 Detachable Italian Spindle h = 10 mm - zinc plated	M A 0 3 6 2 S 0		
AC363 Detachable Italian Spindle h = 15 mm - zinc plated	M A 0 3 6 3 S 0		