

DC450

Floor spring with Cam-Motion® technology and fixed closing force for very thin slabs



ASSA ABLOY DC450

- Floor spring with fixed closing force for very thin slabs
- Certified in compliance with EN 1154, size 3 or 4
- Suitable for fire and smoke protection doors
- For double and single action doors up to 120 kg

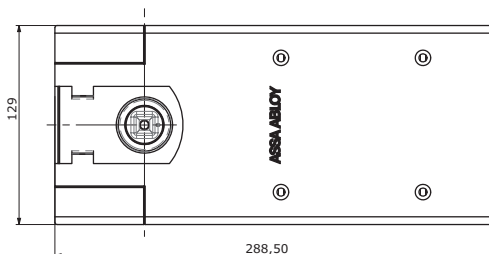
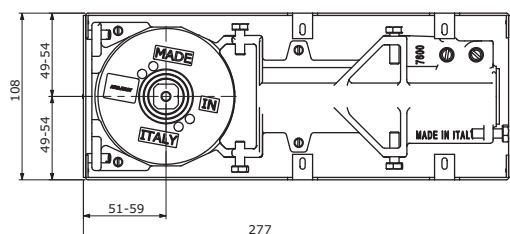
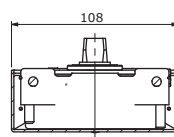
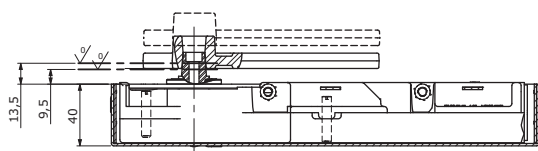
Characteristics of DC450

- Same dimensions for 2 bodies according to fix size EN3, EN4
- Hydraulic control over 130° in both door swing directions
- Adjustable door speed and latching speed from top regulating valves
- Cast iron body
- Adjustments in all directions within the cement box
- Cement box hot zinc plated and only 40 mm Height
- Cover plates and eyelets made in polished or satin stainless steel
- Interchangeable spindle from 0 + 30 mm
- Available with hold-open at 90°, 105° and without hold-open



CE	ASSA ABLOY Italia S.p.A. 40017 San Giovanni in Persiceto Bologna - Italy	15					
	00425-CPR-2866	EN1154:1996+2002+AC2006	3	8	4	1	1

CE	ASSA ABLOY Italia S.p.A. 40017 San Giovanni in Persiceto Bologna - Italy	15					
	00425-CPR-2865	EN1154:1996+2002+AC2006	3	8	3	1	1



DC450

Technical attributes

Technical attributes	
Fixed closing force	EN3/EN4
Door width up to	950 mm / 1100 mm
Max door weight	120 kg
Max. opening angle	130°
Closing speed	Variable between 130° - 15°
Latching speed	Variable between 15° - 0°
Backcheck	No
Weight	3.8 kg
Height	40 mm
Length	277 mm
Width	108 mm
Body adjustment within cement box	vertical 2 mm, side 6 mm; front 7 mm, angular 4°
Direction	Left / right handed doors or double action
Hold-open mode	90°/105°/non hold-open
Certified in compliance with	EN 1154
CE marking for building products	Yes
Fire and smoke protection	Yes

The advantages at a glance

Customer segment	Advantages
Project planners	<ul style="list-style-type: none"> - Extensive range of uses: Fire and smoke protection doors as well as standard doors - Particularly suitable in case of double action glass doors - Recommended for thin slabs - Hold-open at 90°, 105° and non hold-open - Variety of available spindles: square Italian, rectangular German - Architectural finishes: Coverplates and eyelets in polished stainless steel, satin stainless steel, polished brass
Builders	<ul style="list-style-type: none"> - Universal for left/right handed and double action doors - Large range of adjustment within cement box to solve possible alignment problems on the site without taking down the door
Trade	<ul style="list-style-type: none"> - Reduced inventory costs due to modular product range - One single product suitable for all fitting applications
User	<ul style="list-style-type: none"> - Easier door opening and improved accessibility due to Cam-Motion® technology

Our service for you: here you can see the individual advantages of our door closer models for your respective field of business.

You can find the complete specification on the internet at: www.assaabloy.de

Specifications for DC450

ASSA ABLOY floor spring DC450 featuring Cam-Motion® technology in compliance with EN 1154

- Closing power EN sizes 3,4 for doors up to 120 kg and 1100 mm wide
- Closing speed, latch speed adjustable from top regulating valves
- 40 mm Height
- Suitable for left/right handed double action doors
- CE approved

Accessories:

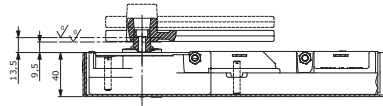
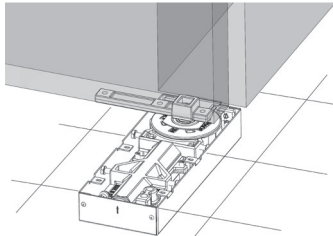
- AC115 - Reversible bottom arm Italian spindle
- AC393 - Reversible bottom arm German spindle
- AC8 - Double action top pivot
- AC375 - Double action top pivot
- AC583 - Right and left bottom arm. Socket for Italian square spindle.
- AC392 - Right & left bottom arm. Socket for German rectangular spindle.
- AC384 - Top pivot for left or right doors
- AC612 - Sealing Compound for floor springs
- AC616 - Cover Plate

Colour:

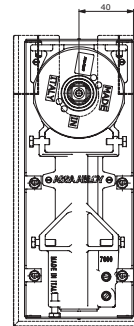
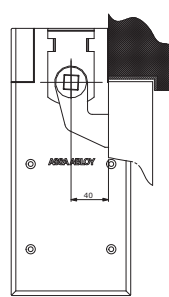
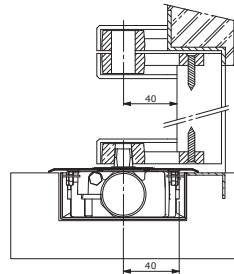
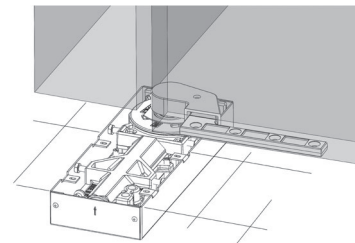
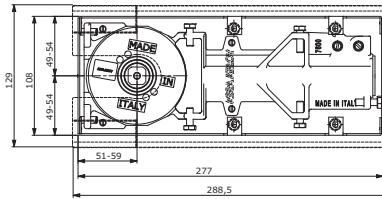
- Polished stainless steel
- Satin stainless steel

DC450

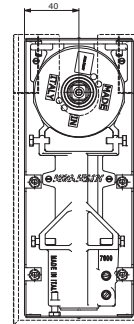
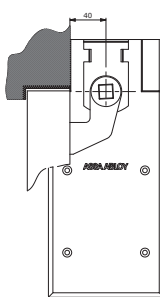
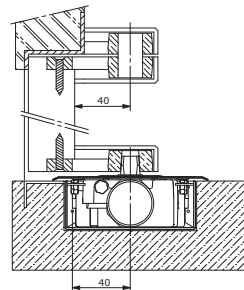
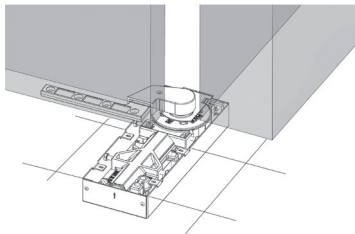
Dimensional drawings and accessories



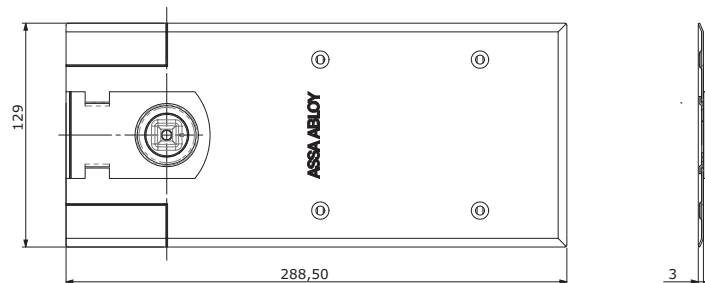
Double action door mounting.



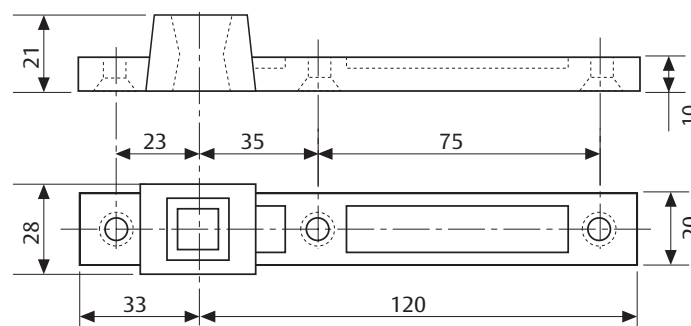
Left-hand door mounting (DIN Right)



Right-hand door mounting (DIN Left)



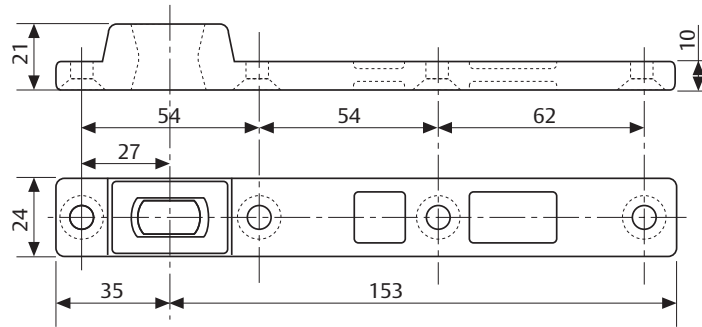
AC619
Available in satin stainless steel, polished stainless steel and polished brass.



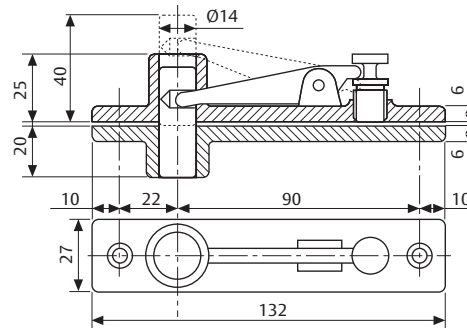
AC115
Reversible bottom arm in steel for double action doors. Socket for Italian squared spindle.

DC450

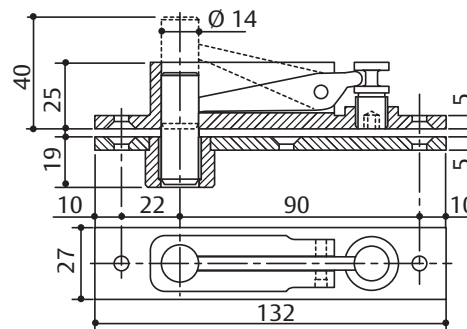
Accessories



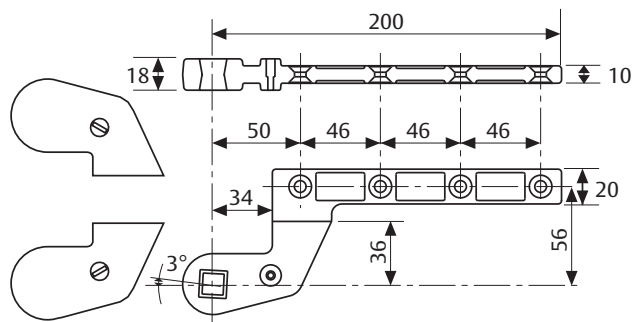
AC393
Reversible bottom arm in steel for double action doors. Socket for German rectangular spindle.



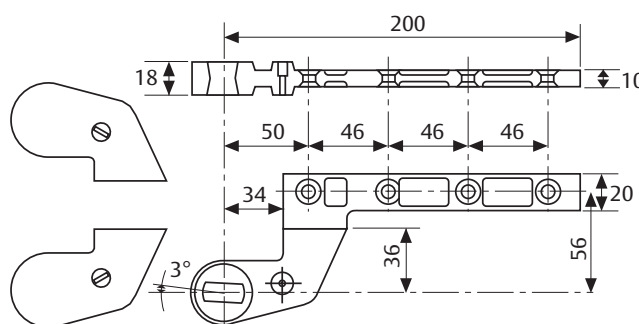
AC8
Top pivot for double action doors



AC375
Double action top pivot in full steel with self lubricating bushing.



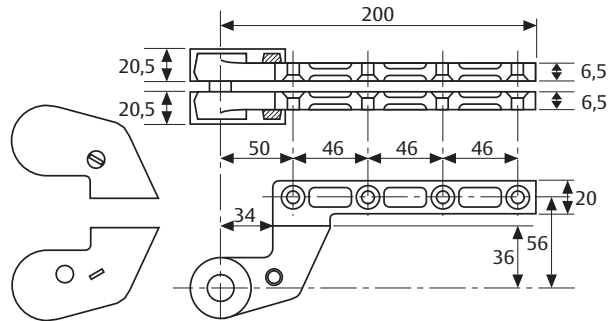
AC583
Right and left bottom arm in steel for single action doors, 36 mm. offset. Socket for Italian square spindle. Silver or black painted.



AC392
Right and left bottom arm in steel for single action doors, 36 mm offset. Socket for German rectangular spindle. Silver or black painted ABS covers.

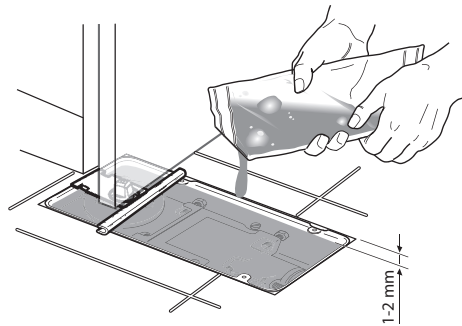
DC450

Accessories



AC384

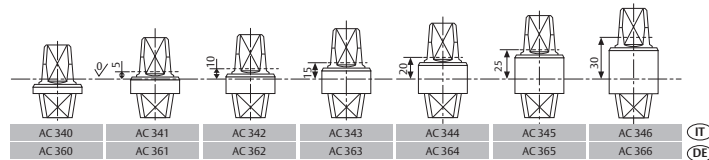
Right and Left Top Arm in full steel, 36 mm offset. Silver or black painted ABS cover.



AC612

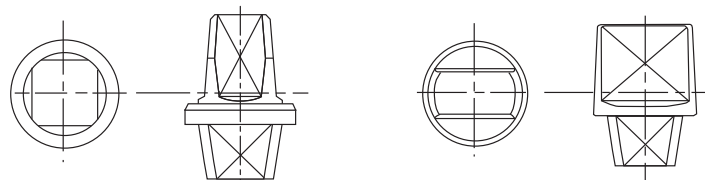
Sealing Compound for floor springs.

Detachable spindles



Detachable spindles

Italian spindle - square shape (left image) German spindle - flat-conical shape (right image)



Order placement information

Designation / Item	Order no.	Designation / Item	Order no.
DC450 Floorspring size 3 with Hold-Open at 105°	D C E 4 5 1 3 T S W	AC363 Detachable Italian Spindle h = 15 mm - zinc plated	M A 0 3 6 3 S 0
DC450 Floorspring size 3 with Hold-Open at 90°	D C E 4 5 6 3 T S W	AC364 Detachable Italian Spindle h = 20 mm - zinc plated	M A 0 3 6 4 S 0
DC450 Floorspring size 3 without Hold-Open	D C E 4 5 9 3 T S W	AC365 Detachable Italian Spindle h = 25 mm - zinc plated	M A 0 3 6 5 S 0
DC450 Floorspring size 4 with Hold-Open at 105°	D C E 4 5 1 4 T S W	AC366 Detachable Italian Spindle h = 30 mm - zinc plated	M A 0 3 6 6 S 0
DC450 Floorspring size 4 with Hold-Open at 90°	D C E 4 5 6 4 T S W	AC115 Reversible bottom arm in steel for double action doors. Socket for Italian Spindle	M A 0 1 1 5 S 0
DC450 Floorspring size 4 without Hold-Open	D C E 4 5 9 4 T S W	AC393 Reversible bottom arm in steel for double action doors. Socket for German Spindle	M A 0 3 9 3 S 0
AC619 Cover Plate for DC450 Polished Stainless Steel	D C A 0 6 1 9 I W	AC8 Double action top pivot	M A 0 0 0 8 S 0
AC619 Cover Plate for DC450 Satin Stainless Steel	D C A 0 6 1 9 Q W	AC375 Double action top pivot in full steel with self-lubricating bushing	M A 0 3 7 5 S 0
AC340 Detachable Italian Spindle h = 0 mm - zinc plated	M A 0 3 4 0 S 0	AC583 Right and left bottom arm in steel for single action doors, 36 mm offset. Socket for Italian spindle. ABS cover in silver	M A 0 5 8 3 0 0
AC341 Detachable Italian Spindle h = 5 mm - zinc plated	M A 0 3 4 1 S 0	AC583 Right and left bottom arm in steel for single action doors, 36 mm offset. Socket for Italian spindle. ABS cover in black	M A 0 5 8 3 3 0
AC342 Detachable Italian Spindle h = 10 mm - zinc plated	M A 0 3 4 2 S 0	AC392 Right and left bottom arm in steel for single action doors, 36 mm offset. Socket for Italian spindle. ABS cover in silver	M A 0 3 9 2 0 0
AC343 Detachable Italian Spindle h = 15 mm - zinc plated	M A 0 3 4 3 S 0	AC392 Right and left bottom arm in steel for single action doors, 36 mm offset. Socket for Italian spindle. ABS cover in black	M A 0 3 9 2 3 0
AC344 Detachable Italian Spindle h = 20 mm - zinc plated	M A 0 3 4 4 S 0	AC384 Right and left top arm in full steel, 36 mm offset. ABS cover in silver	M A 0 3 8 4 0 0
AC345 Detachable Italian Spindle h = 25 mm - zinc plated	M A 0 3 4 5 S 0	AC384 Right and left top arm in full steel, 36 mm offset. ABS cover in black	M A 0 3 8 4 3 0
AC346 Detachable Italian Spindle h = 30 mm - zinc plated	M A 0 3 4 6 S 0	AC612 Sealing compound for floorsprings	M A 0 6 1 2 S 0
AC360 Detachable Italian Spindle h = 0 mm - zinc plated	M A 0 3 6 0 S 0		
AC361 Detachable Italian Spindle h = 5 mm - zinc plated	M A 0 3 6 1 S 0		
AC362 Detachable Italian Spindle h = 10 mm - zinc plated	M A 0 3 6 2 S 0		