

DC420

Floor spring with Cam-Motion® technology and fixed closing force for thin slabs



ASSA ABLOY DC420

- Floor spring with fixed closing force for thin slabs
- Certified in accordance with EN 1154, size 2-4, cycle test over 1000,000 cycles
- Suitable for fire and smoke protection doors
- For double and single action door up to 100kg

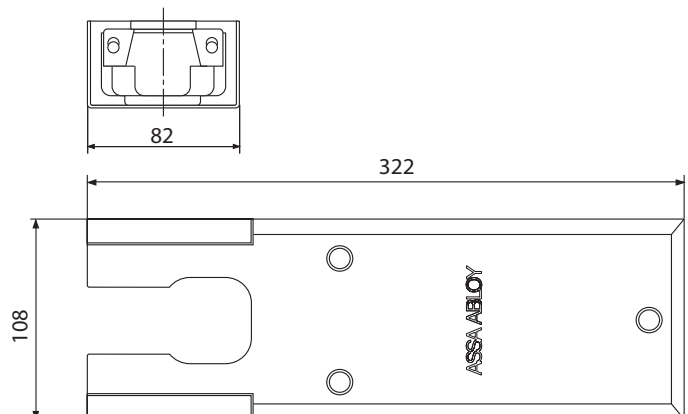
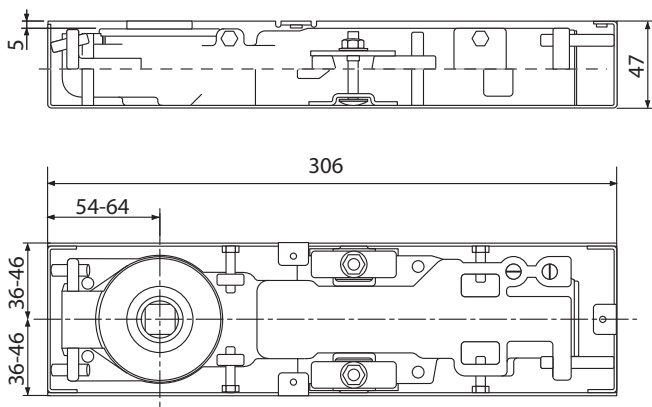
Characteristics of DC420

- Same dimensions for 3 bodies according to fix size EN2, EN3, EN4
- Hydraulic control over 175° in both door swing directions
- Adjustable door speed and latching speed from top regulating valves
- Cast iron body
- Adjustments in all directions within the cement box
- Cement box in hot zinc plated
- Cover plates and eyelets made in polished or satin stainless steel and polished brass
- Interchangeable spindle from 0 to +30 mm
- Available with hold-opening angle 90°, 105° and without hold-open
- Available with hold-open at 90°, 105° and without hold-open
- For thin slabs



CE	ASSA ABLOY Italia S.p.A. Via Bovaresa, 13 40017 San Giovanni in Persiceto Bologna - Italy	04					
	0425 D0.0525	EN 1154:1996+A1:2002	3	8	4	1	1

CE	ASSA ABLOY Italia S.p.A. Via Bovaresa, 13 40017 San Giovanni in Persiceto Bologna - Italy	04					
	0425 D0.0524	EN 1154:1996+A1:2002	3	8	3	1	1



DC420

Technical attributes

Technical attributes	
Fixed closing force	EN2 or EN3 or EN4
Door width up to	850 mm / 950 mm / 1100 mm
Max door weight	100 kg
Max. opening angle	175°
Closing speed	Variable between 175° - 15°
Latching speed	Variable between 15° - 0°
Backcheck	No
Weight	3.9 kg
Height	47 mm
Length	306 mm
Width	82 mm
Body adjustment within cement box	vertical 5 mm, side 10 mm, front 10 mm, angular 6°
Direction	Left / Right handed doors or double action
Hold-open mode	90°/105°/non hold-open
Certified in compliance with	EN 1154
CE marking for building products	Yes
Suitable for fire doors	Yes

The advantages at a glance

Customer segment	Advantages
Project planners	<ul style="list-style-type: none"> - Extensive range of uses: Fire and smoke protection doors as well as standard doors - Particularly suitable in case of double action glass doors - Recommended for thin slabs - Hold-open at 90°, 105° and non hold-open - Variety of available spindles: square Italian, rectangular German - Architectural finishes: Coverplates and eyelets in polished stainless steel, satin stainless steel, polished brass
Builders	<ul style="list-style-type: none"> - Universal for left/right handed and double action doors - Large range of adjustment within cement box to solve possible alignment problems on the site without taking down the door
Trade	<ul style="list-style-type: none"> - Reduced inventory costs due to modular product range - One single product suitable for a large variety of mounting positions - Complementary accessories available for the whole product range
User	<ul style="list-style-type: none"> - Easier door opening and improved accessibility due to rapidly decreasing opening force (Cam-Motion)

Our service for you: here you can see the individual advantages of our door closer models for your respective field of business.

You can find the complete specification on the internet at: www.assaabloy.de

Specifications for DC420

ASSA ABLOY Floor spring DC420 featuring Cam-Motion® technology in compliance with EN 1154

- Closing power, EN sizes 2/3/4, for doors up to 1100 mm wide, cycle test over 1000,000 cycles
- Closing speed, latch speed adjustable from top regulating valves
- CE approved
- 5 mm height adjustable within cement box
- Suitable for left/right handed double action doors

Accessories:

- AC115 - Reversible bottom arm Italian spindle
- AC393 - Reversible bottom arm German spindle
- AC8 - Double action top pivot
- AC375 - Double action top pivot
- AC583 - Right and left bottom arm. Socket for Italian square spindle
- AC392 - Right & left bottom arm. Socket for German rectangular spindle

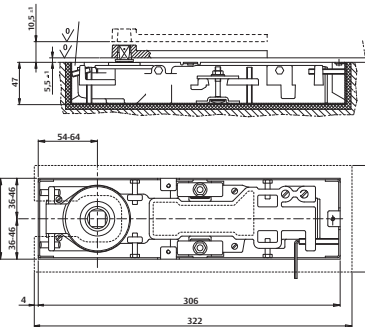
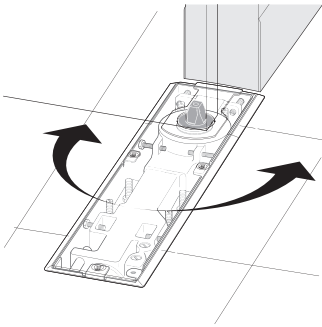
- AC384 - Top pivot for left or right doors
- AC612 - Sealing Compound for floor springs
- AC307 - Cover plate

Colour:

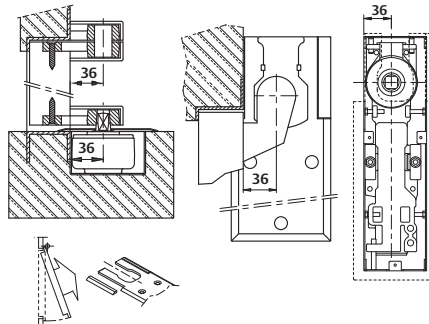
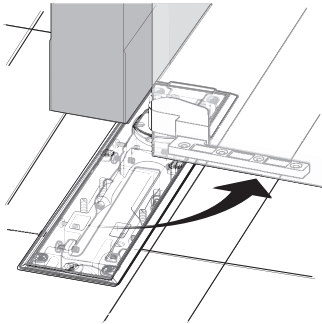
- Polished stainless steel
- Satin stainless steel
- Polished brass

DC420

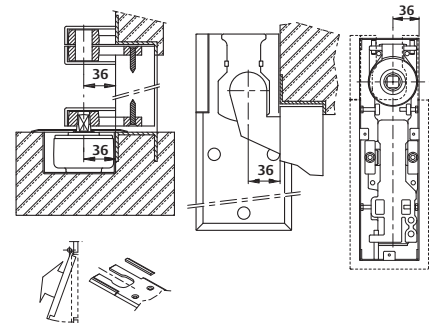
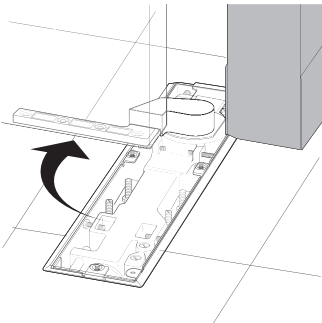
Dimensional drawings and accessories



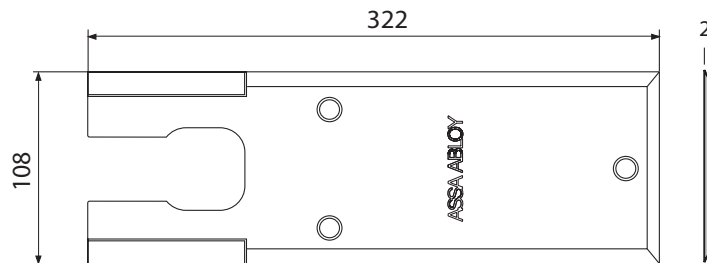
Double action door mounting



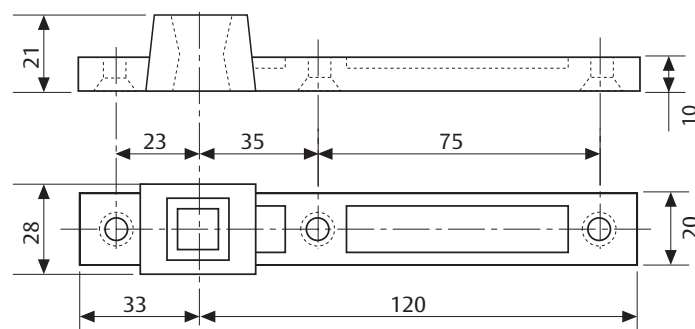
Right-handed door mounting



Left-handed door mounting



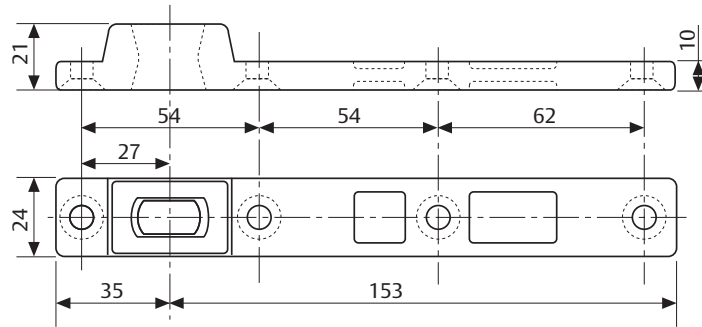
AC307
Available in satin stainless steel, polished stainless steel and polished brass.



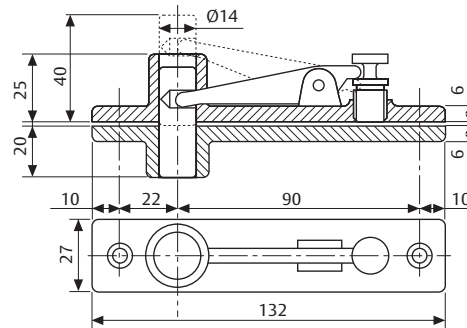
AC115
Reversible bottom arm in steel for double action doors. Socket for Italian squared spindle.

DC420

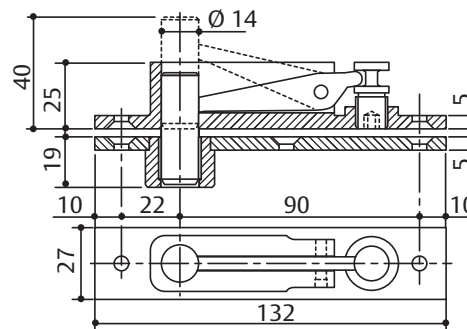
Accessories



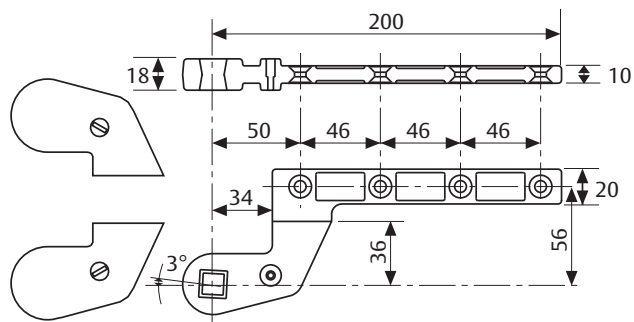
AC393
Reversible bottom arm in steel for double action doors. Socket for German rectangular spindle.



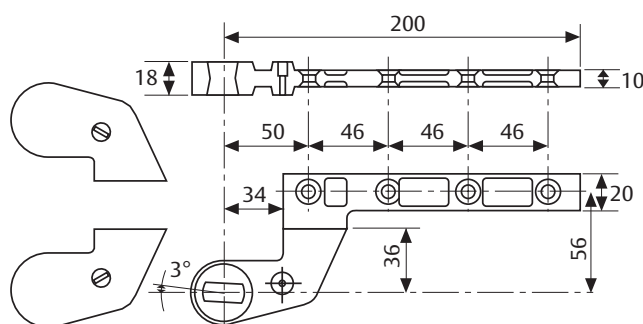
AC8
Double action top pivot.



AC375
Double action top pivot in full steel with self lubricating bushing.



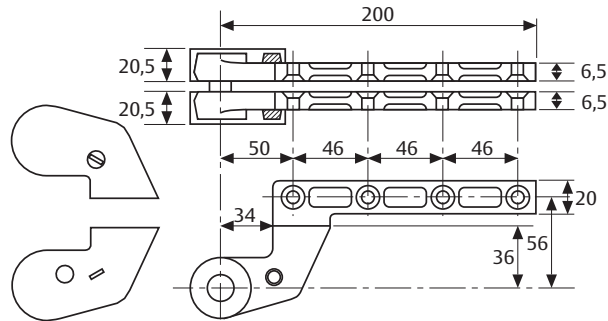
AC583
Right and left bottom arm in steel for single action doors, 36 mm offset. Socket for Italian square spindle. Silver or black painted.



AC392
Right and left bottom arm in steel for single action doors, 36 mm offset. Socket for German rectangular spindle. Silver or black painted ABS covers.

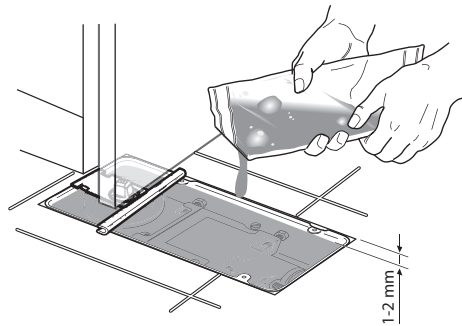
DC420

Accessories



AC384

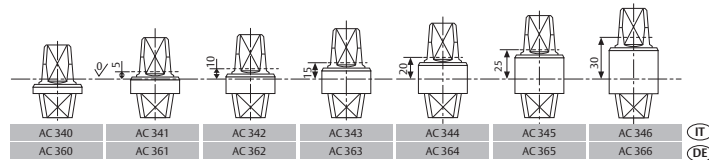
Right and Left Top Arm in full steel, 36 mm offset. Silver or black painted ABS cover.



AC612

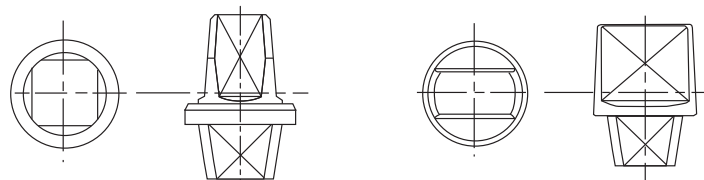
Sealing Compound for floor springs.

Detachable spindles



Detachable spindles

Italian spindle - square shape (left image) German spindle - flat-conical shape (right image)



Order placement information

Designation / Item	Order no.	Designation / Item	Order no.
DC420 Floorspring size 2 with Hold-Open at 105°	DCE4212TSR	AC362 Detachable Italian Spindle h = 10 mm - zinc plated	MA0362S0
DC420 Floorspring size 2 with Hold-Open at 90°	DCE4262TSR	AC363 Detachable Italian Spindle h = 15 mm - zinc plated	MA0363S0
DC420 Floorspring size 2 without Hold-Open	DCE4292TSR	AC364 Detachable Italian Spindle h = 20 mm - zinc plated	MA0364S0
DC420 Floorspring size 3 with Hold-Open at 105°	DCE4213TSR	AC365 Detachable Italian Spindle h = 25 mm - zinc plated	MA0365S0
DC420 Floorspring size 3 with Hold-Open at 90°	DCE4263TSR	AC366 Detachable Italian Spindle h = 30 mm - zinc plated	MA0366S0
DC420 Floorspring size 3 without Hold-Open	DCE4293TSR	AC115 Reversible bottom arm in steel for double action doors. Socket for Italian Spindle	MA0115S0
DC420 Floorspring size 4 with Hold-Open at 105°	DCE4214TSR	AC393 Reversible bottom arm in steel for double action doors. Socket for German Spindle	MA0393S0
DC420 Floorspring size 4 with Hold-Open at 90°	DCE4264TSR	AC8 Double action top pivot	MA0008S0
DC420 Floorspring size 4 without Hold-Open	DCE4294TSR	AC375 Double action top pivot in full steel with self-lubricating bushing	MA0375S0
AC307 Cover Plate for DC420 Polished Stainless Steel	DCA0307IR	AC583 Right and left bottom arm in steel for single action doors, 36 mm offset. Socket for Italian spindle. ABS cover in silver	MA058300
AC307 Cover Plate for DC420 Satin Stainless Steel	DCA0307HR	AC583 Right and left bottom arm in steel for single action doors, 36 mm offset. Socket for Italian spindle. ABS cover in black	MA058330
AC307 Cover Plate for DC420 Polished Brass	DCA0307PR	AC392 Right and left bottom arm in steel for single action doors, 36 mm offset. Socket for Italian spindle. ABS cover in silver	MA039200
AC340 Detachable Italian Spindle h = 0 mm - zinc plated	MA0340S0	AC392 Right and left bottom arm in steel for single action doors, 36 mm offset. Socket for Italian spindle. ABS cover in black	MA039230
AC341 Detachable Italian Spindle h = 5 mm - zinc plated	MA0341S0	AC384 Right and left top arm in full steel, 36 mm offset. ABS cover in silver	MA038400
AC342 Detachable Italian Spindle h = 10 mm - zinc plated	MA0342S0	AC384 Right and left top arm in full steel, 36 mm offset. ABS cover in black	MA038430
AC343 Detachable Italian Spindle h = 15 mm - zinc plated	MA0343S0	AC612 Sealing compound for floorsprings	MA0612S0
AC344 Detachable Italian Spindle h = 20 mm - zinc plated	MA0344S0		
AC345 Detachable Italian Spindle h = 25 mm - zinc plated	MA0345S0		
AC346 Detachable Italian Spindle h = 30 mm - zinc plated	MA0346S0		
AC360 Detachable Italian Spindle h = 0 mm - zinc plated	MA0360S0		
AC361 Detachable Italian Spindle h = 5 mm - zinc plated	MA0361S0		